

Victor Products Ltd
 New York Way
 New York Industrial Park
 Newcastle upon Tyne
 NE27 0QF
 ENGLAND
 Tel : +44(0)191 2808000
 Fax : +44(0)191 2808080



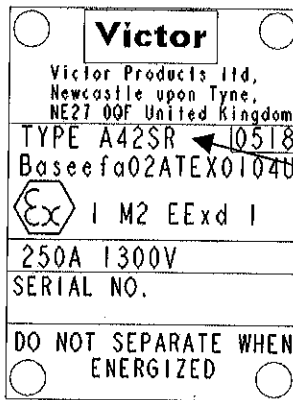
**Making Hazardous
 Environments Work**

TYPE A42 RANGE OF 250AMP 1300VOLT FLAMEPROOF SOCKETS
Types A42SR, A42SR/A, A42SR/B, A42SR/C, A42SR/E, A42SR/AE,
A42SR/BE, A42SR/CE, A42SR/DE, A42SR/EE, A42SR/FE, A42SR/GE

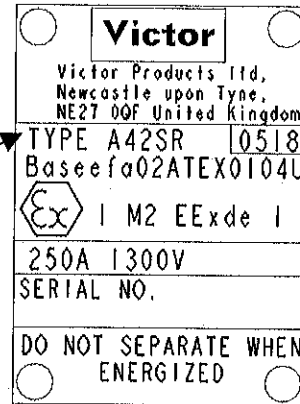
Certification number Baseefa02ATEX0104U I M2 EExd I

The ATEX certificate carries the ATEX group and category marking: - I M2

Where: I signifies suitability for use in mining and M2 signifies suitability for use in mines where it must be de-energised in the presence of an explosive atmosphere.



**NAMEPLATE DETAIL
 EExd SOCKETS**



**NAMEPLATE DETAIL
 EExde SOCKETS**

**TYPE NUMBER AS
 APPROPRIATE**

General

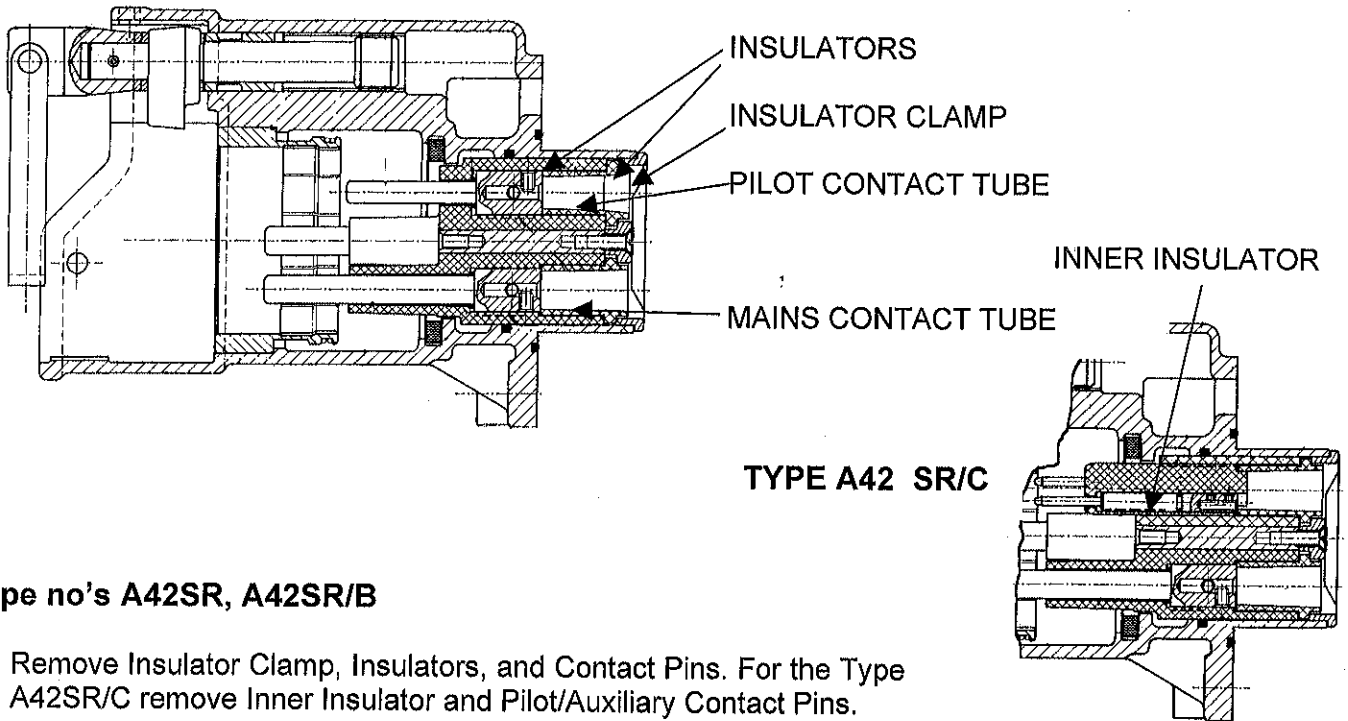
These sockets are designed in accordance with EN50014:1997, EN50018:2000, and EN50019:2000. They can be associated with any relevant certified connectors in 1100/1300V mode for flameproof enclosures Group I apparatus that complies dimensionally with BS5620, in this way connectors complying with BS5620 and certified to BS5501, or BS4683, or BS229 can be intermixed. The Type A42SR/DE, A42SR/EE, A42SR/FE, and A42SR/GE cannot be associated with any double flanged socket adaptors dimensionally to BS5620. The Type A42SR/A, A42SR/AE and A42SR/EE are I.P.C. (Interrupted Pilot Circuit) Sockets and are for use on pilot control systems and are fitted with a Type A39PI or A39PI/A I.P.C. Connector covered by certificate no. MECS01ATEX5399U.

Installation - all

1. Installation, maintenance, and inspection, must be carried out by suitably qualified personnel in accordance with established codes of practice.
2. Restrained type of plugs and sockets are for use only with electrical interlock.

3. Ensure that the rated voltage and current are compatible with the power supply and load requirements.

Installation Type no's A42SR, A42SR/B

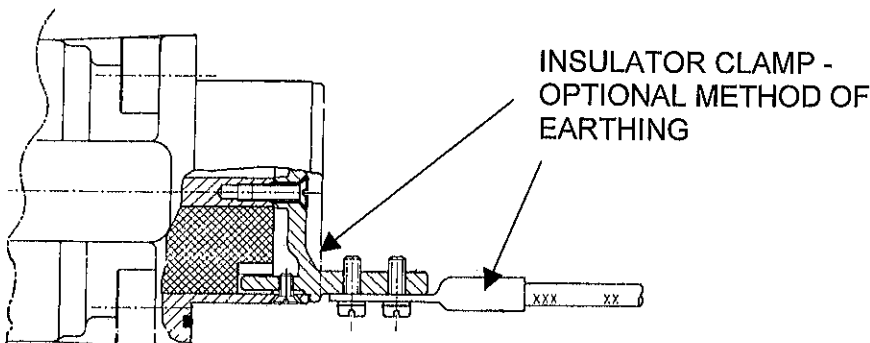


Type no's A42SR, A42SR/B

1. Remove Insulator Clamp, Insulators, and Contact Pins. For the Type A42SR/C remove Inner Insulator and Pilot/Auxiliary Contact Pins.
2. The Contact Pins can be either grubscrewed type or crimped. The conductors should be bared back to suit the hole depth of the Contact Pins. The conductor can now be fed through the Insulator Clamp and Retaining Insulators.
3. For the grubscrewed pins, insert conductor and ensure that the screws are fully tightened down.
4. If the crimped pins are fitted with screws and sleeving then they must be removed prior to crimping. Insert conductor. The crimp should be equally spaced on the end portion. Use crimping dies 'Erma' ref. HJ or 'BICC' ref. U855 or 'Neilson' ref. ME17 on the Mains Pin, and 'Erma' ref. HF or HG, or 'BICC' ref. U854, or 'Neilson' ref. ME14 on the Pilot Pin and Auxiliary Pins. After crimping replace the sleeving and screws.
5. Re-assemble the socket as shown in fig. 3.
6. Ensure that when the plugs are connected for use, with their mating approved sockets, that they are fully engaged. Plugs are fully engaged with their sockets when the handle on the socket is wound fully home.

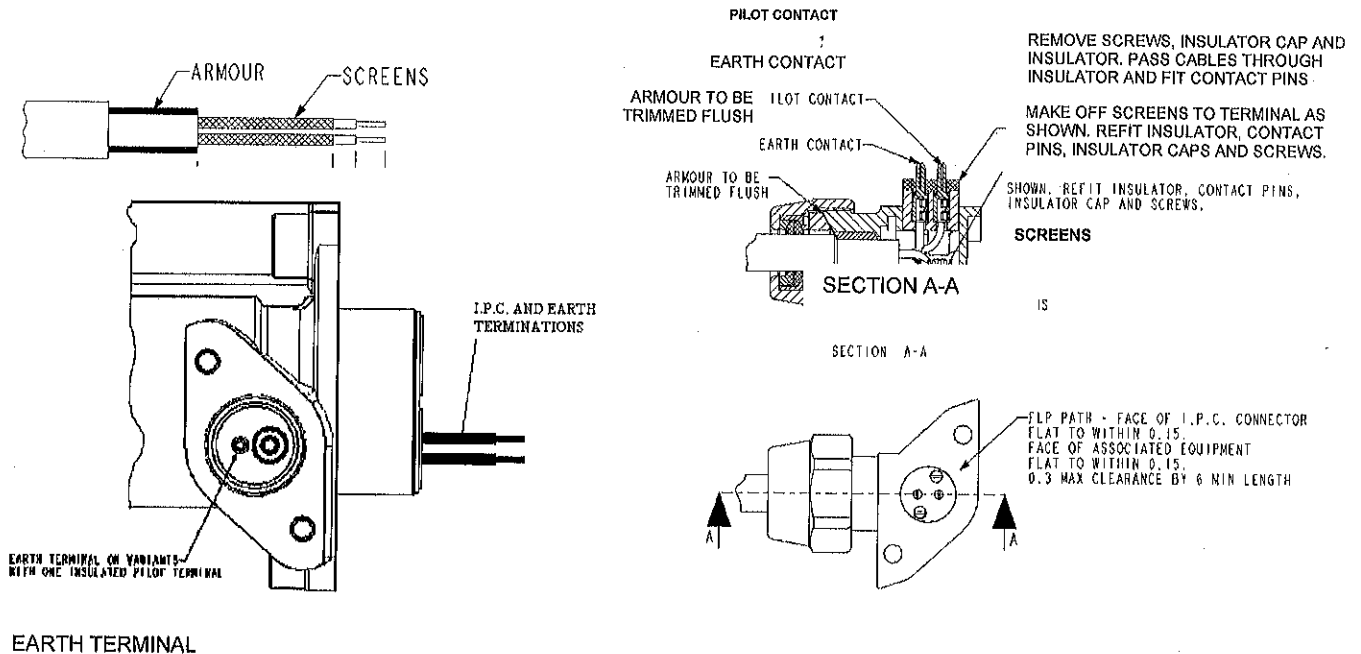
Installation – EExde only.

1. Ensure crimped terminal is secured with the screws and spring washers supplied. All other installation details as before.



Installation – I.P.C. Types only

1. The I.P.C. (Interrupted Pilot Circuit) Restrained Sockets are for use on pilot control systems. The Type A42SR/A has two insulated terminals on the gland outlet, and has two loose connection tails at the socket spigot, see Fig.6. **Important-** when connecting associated equipment, ensure that the terminals are connected to the earth or pilot as required by the particular system.
2. The I.P.C. Connector is the Type A39PI or A39PI/A and is covered by certificate ECS01ATEX5399U. It is designed for use with Type 62 cable to BS 6708:1998. A copy of the full installation leaflet is available on request although cable make off and assembly details are shown below. All other installation details as before.



CABLE MAKE OFF AND ASSEMBLY DETAILS OF TYPE A39PI I.P.C. CONNECTOR

Accessories

Sockets can be fitted with Victor Closer Caps.

The I.P.C. Sockets can be fitted with the following Victor accessories - Rectifier and Blanking Cover, Blanking Cover only, and Stop/Start or Emergency Stop Switch.

Maintenance and Inspection

It should be noted that all components that are replaced must be in accordance with the manufacturer's specifications. Failure to use such components invalidates the certification and renders the apparatus dangerous. NO modifications should be made to the apparatus without the knowledge and approval of the manufacturer. If in doubt, refer to the manufacturer. A copy of the Spare Parts List is available from Victor Products Ltd.

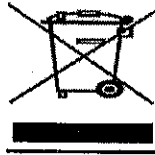
Before re-assembly ensure that all flameproof paths are visually inspected and dimensionally checked for any abnormality.

FLP PATH – FACE OF I.P.C. CONNECTOR
 FLAT TO WITHIN 0.15
 FACE OF ASSOCIATED EQUIPMENT
 FLAT TO WITHIN 0.15
 0.3 MAX CLEARANCE BY 6 MIN LENGTH

HEALTH AND SAFETY AT WORK etc. ACT 1974

In the United Kingdom all equipment must be installed, operated and disposed of (as required) within the legislative requirements of the Health and Safety at Work etc. Act 1974. Leaflet No. HSS L1 refers to the Company's obligation and is available on request.

It is the responsibility of the user to select, install, operate and maintain the equipment in accordance with the relevant legislation and appropriate code of practice.



EU Only

Prices and design are subject to alteration without notice. All products are sold subject to our conditions of sale, copies of which are available on request. *We reserve the right to change characteristics of our products. All data is for guidance only*

EC - Declaration of conformity

CE – Déclaration De Conformité

EG - Konformitätserklärung

Victor

Victor Products Ltd
New York Way
New York Industrial Park
Newcastle upon Tyne
NE27 0QF
ENGLAND

TYPE A42 RANGE OF 250AMP 1300VOLT FLAMEPROOF SOCKETS


Certification number Baseefa02ATEX01042U I M2 EExd I

Victor Products Ltd

Hereby declare our sole responsibility that the product which is the subject of this declaration is in conformity with the following standards or normative documents.

Erklären in alleiniger Verantwortung, daß das Product auf das sich diese Erklärung bezieht, mit der/den folgenden Norm(en) oder normativen Dokumenten Ubereinstimmt.

Déclarons de notre seule responsabilité, que le produit auquel cette déclaration se rapporte, est conforme aux norme(s) ou aux documents normatifs suivants.

Number and date of standard Nr. Sowie Ausgabedatum der Norm No. Ainsi que date d'emission des normes.	Directive description Bestimmungen der Richtlinie Prescription de la directive
EN 50014 (1998) EN 50018 (2000) This equipment has been reviewed against the requirements of EN60079-0: 2006 and EN60079-1: 2004, in respect of the differences from the standards to which this certificate was issued; none of these differences affect this equipment. Diese Ausrüstung ist gegen die Anforderungen von EN60079-0 wiederholt worden: 2006 und EN60079-1: 2004, in Bezug auf die Unterschiede von den Standards, zu denen diese Bescheinigung ausgestellt wurde; keine dieser Unterschiede beeinflussen diese Ausrüstung. Cet équipement a été passé en revue contre les conditions d'EN60079-0 : 2006 et EN60079-1 : 2004, en ce qui concerne les différences des normes auxquelles ce certificat a été délivré ; aucune de ces différences n'affecte cet équipement.	94/9 EC : Equipment and protective systems intended for use in potentially explosive atmospheres. 94/9 EG: Geräte und Schutzsysteme zur bestimmungsgemäßen Verwendung in explosionsgefährdeten Bereichen 94/9 CE: Appareils et systèmes de protection destinés a être utilisés en atmosphères explosibles.
EN50082 (1992) EN55015 (1993) EN 60555-2 (1987)	89/336 EEC: Electromagnetic Compatability 89/336 EWG: Elektromagnetische Verträglichkeit 89/336 CEE: Compatabilité électromagnétique
Notified Body: SIRA Certification Services (0518) Rake Lane Eccleston Chester CH4 9J	 H. Davis Engineering & Quality Manager September 2007
Notification No. SIRA 02 ATEX M191	