

# Type ML102 Ex d LED Face Lighting Luminaire




## SPECIFICATION

- ▼ Utilises Latest LED Technology.
- ▼ Voltage ranges from 80V to 240V in one unit.
- ▼ Other Voltages Available

## CERTIFICATION & APPROVAL

IECEX Certification No. IECEX SIR09.0134  
IECEX Ex I Mb

ATEX Certification No. Sira 09ATEX1328  
 I M2 Ex I Mb

DGMS Applied For

**Ambient Temperature range:**  
-20°C To +45°C

**Ingress Protection:**  
IP65

## FEATURES & BENEFITS

- ▼ Low Maintenance
- ▼ Long LED Lamp Life
- ▼ High Resistance to Vibration & Shock
- ▼ Low Power Consumption.
- ▼ The higher voltage luminaire will operate from 80V to 240V AC / DC without modification.
- ▼ Other voltage options are available for 12V AC / DC or 24V AC / DC
- ▼ Low Profile ideal for applications with restricted head room.
- ▼ Hinged lamp-glass assembly.
- ▼ Simple installation.
- ▼ Through wiring available as standard



**Victor**

**VICTOR PRODUCTS LIMITED**

New York Way, New York Industrial Park, Newcastle upon Tyne, NE27 0QF United Kingdom  
Tel: 0191 280 8000, Fax: 0191 280 8080 e-mail: sales@victor.co.uk www.victor.co.uk

A Federal  Signal Company

## TECHNICAL SPECIFICATION

### Lamp Type

LED – Purpose designed LED strip.  
In excess of 100,000 hours lamp life. (Temperature and switching dependant)

### Power Supply

Mains input can vary from 80V to 240V AC (50/60 Hz) or DC.

### Power Consumption

15W max.

### Cable Entries

Options available: -  
Threaded Entry – up to 2 x M32  
Flanged Entry – 2 x 25.4 Dia.

Note: Glands can be supplied on request

### Temperature

Ambient temperature: - -20<sup>0</sup>C to + 45<sup>0</sup>C

### Materials

Main Box	- Gunmetal.
Seals	- Nitrile Rubber
External Fasteners	- Stainless Steel.
Lamp-glass	- Toughened Soda Lime Glass

### Weight

LED Luminaire - 10.5 Kg

### Installation / Mounting

Each luminaire has cast in mounting points suitable for M8 fixings  
The luminaire may be mounted in any orientation  
Alternative mounting brackets are available on request.

### Installation Leaflet

Item number ML193102 is supplied with each luminaire.



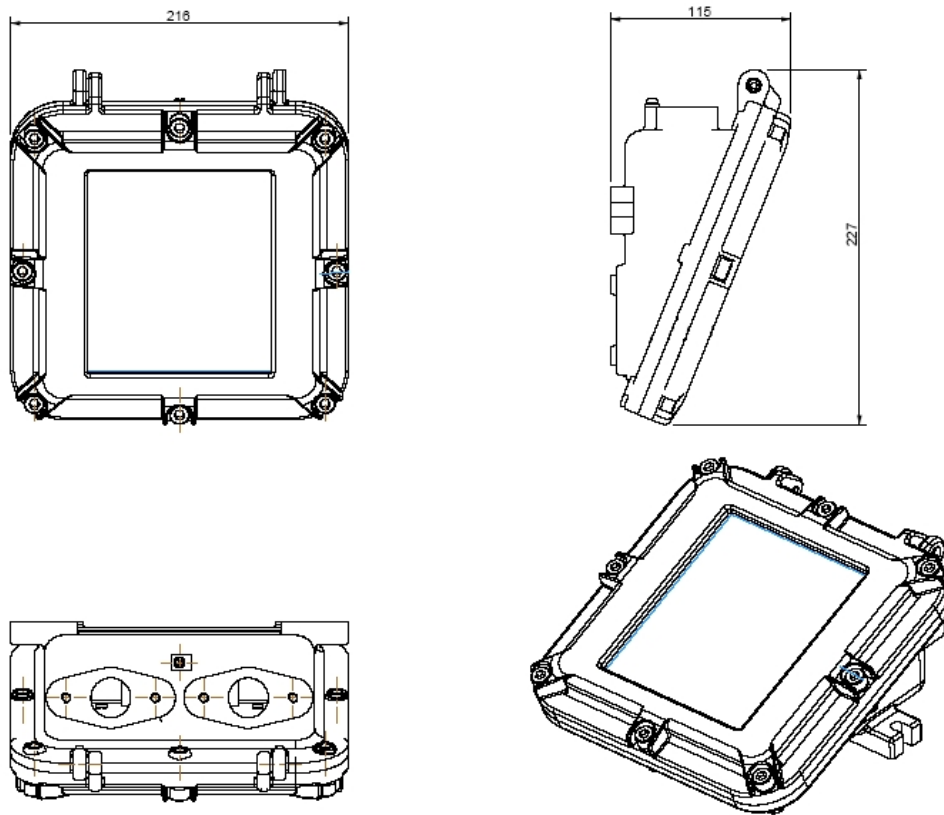
**Victor**

**VICTOR PRODUCTS LIMITED**

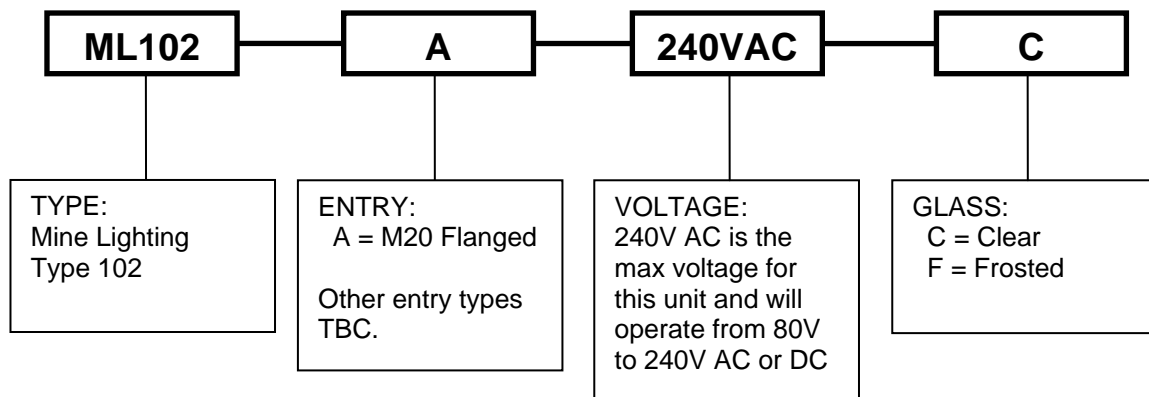
New York Way, New York Industrial Park, Newcastle upon Tyne, NE27 0QF United Kingdom  
Tel: 0191 280 8000, Fax: 0191 280 8080 e-mail: sales@victor.co.uk www.victor.co.uk

A Federal  Signal Company

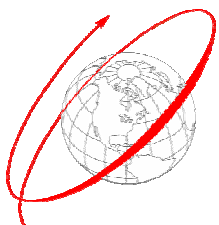
## DIMENSIONS



## ORDERING REFERENCES.



EXAMPLE: - ML102A230VACC = Mine Lighting Type ML102 for 2 x M20 Flange Cable entries suitable for voltage ranging from 80V to 240V AC or DC fitted with clear glass.



**Victor**

**VICTOR PRODUCTS LIMITED**

New York Way, New York Industrial Park, Newcastle upon Tyne, NE27 0QF United Kingdom  
Tel: 0191 280 8000, Fax: 0191 280 8080 e-mail: sales@victor.co.uk www.victor.co.uk

A Federal  Signal Company